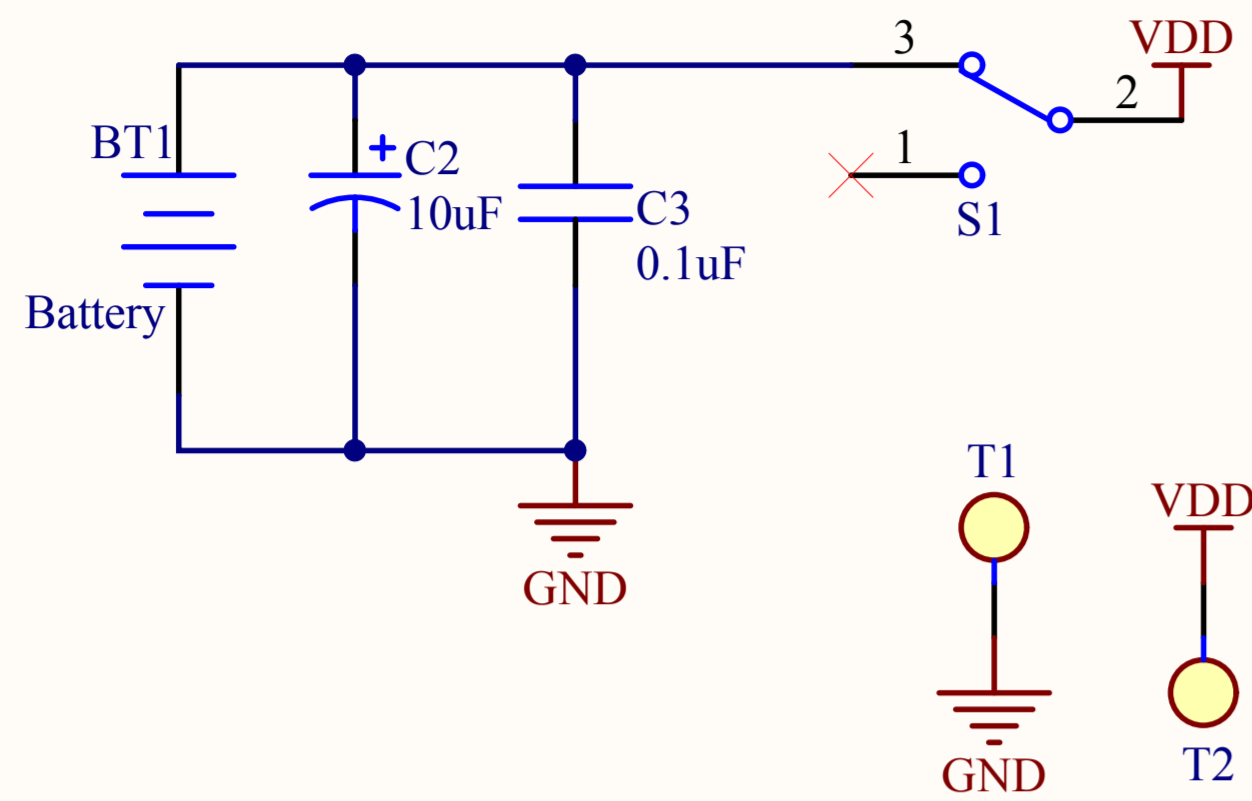
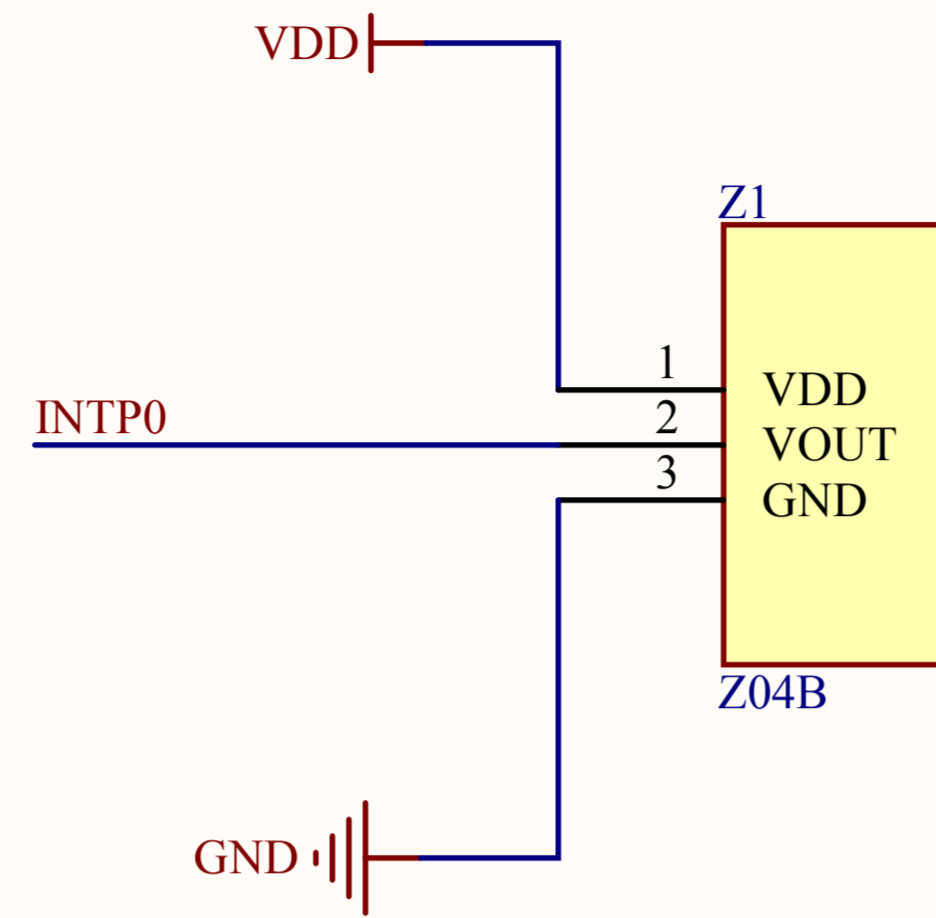


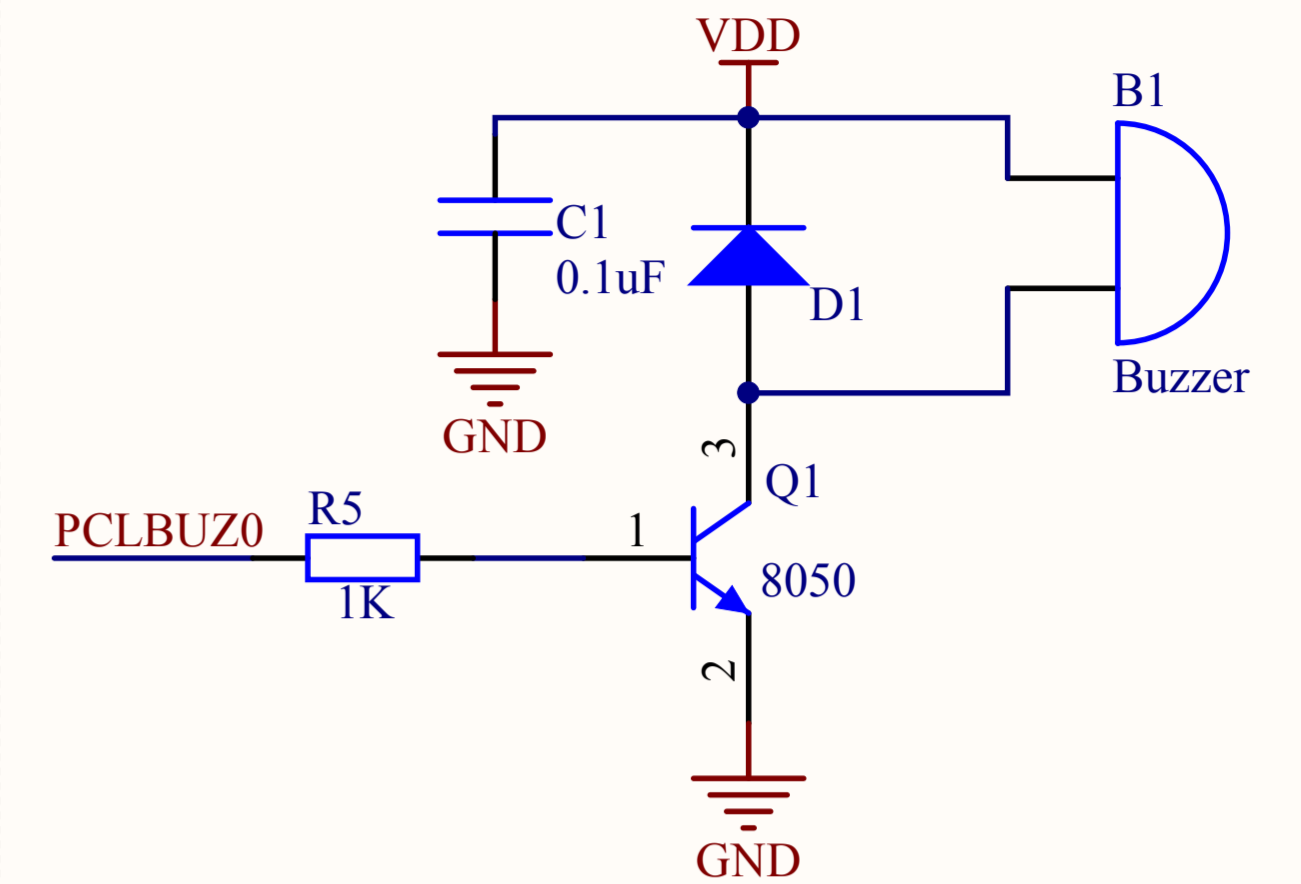
Power & Switch



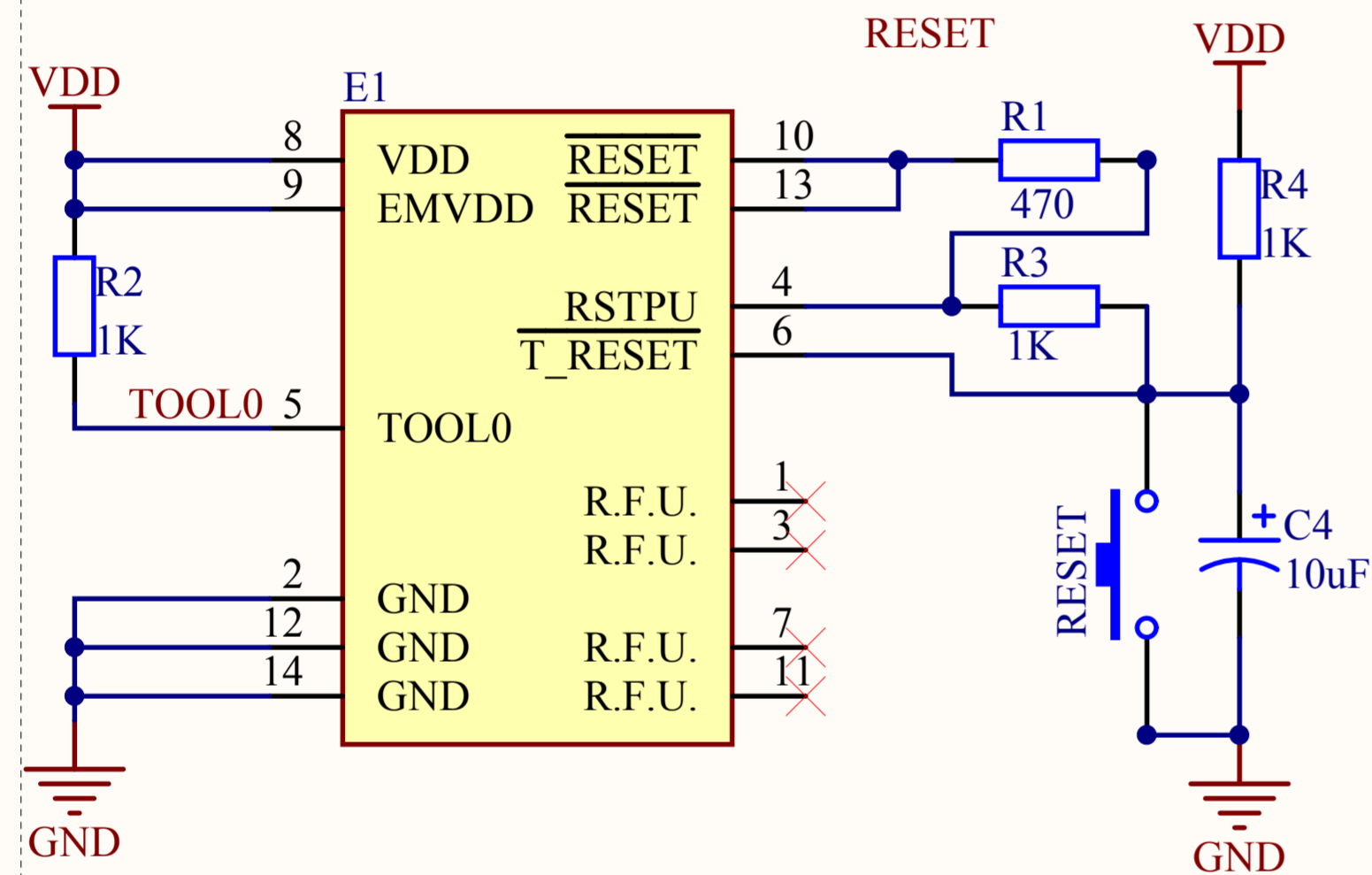
Vibration Module



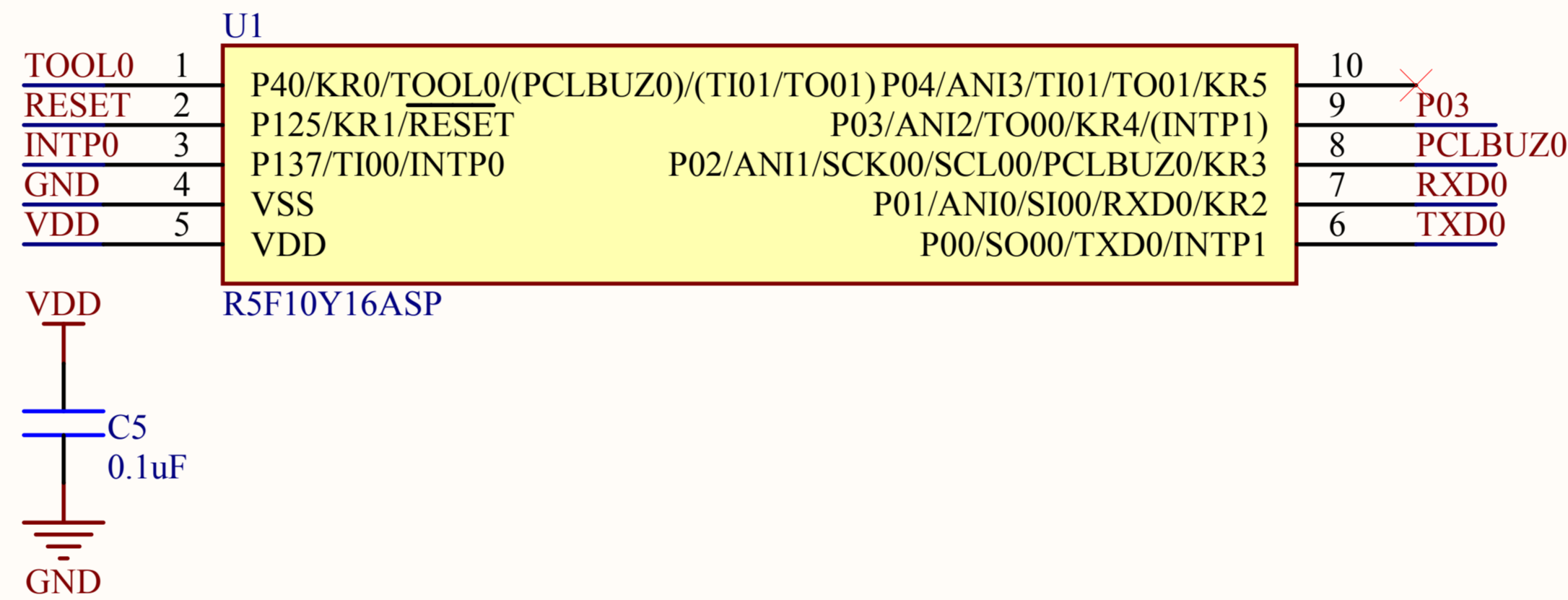
Alarm Buzzer Circuit



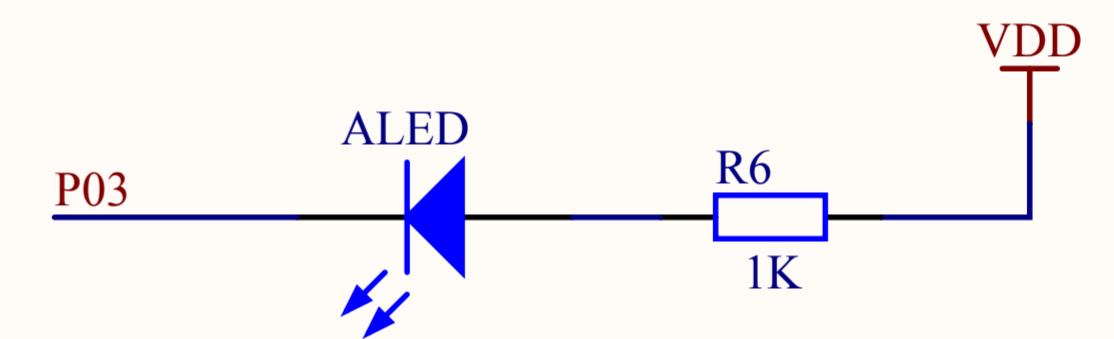
E1 Interface



MCU



Alarm LED Circuit



Serial Interface (Reserved)

